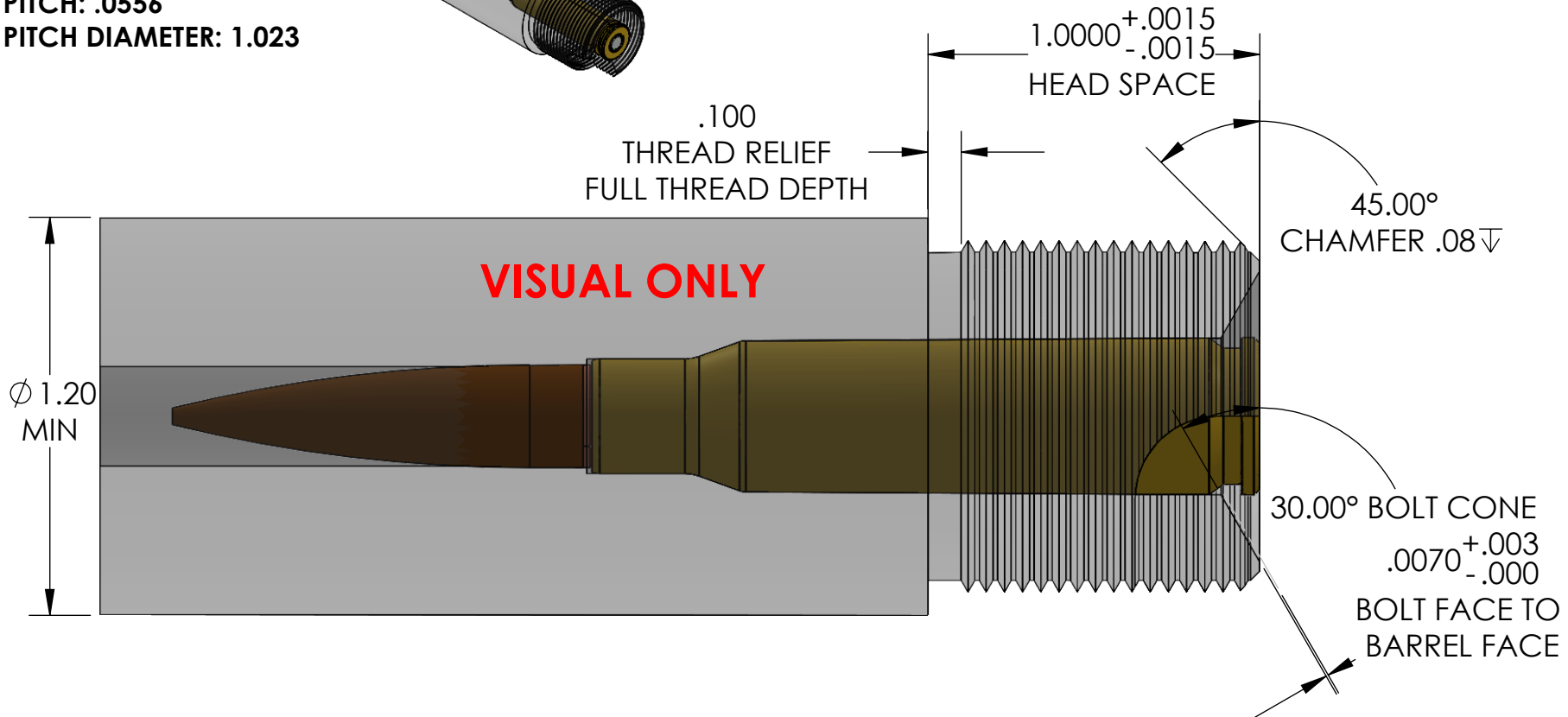
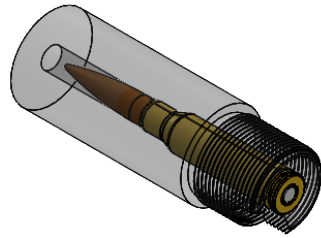


MODEL	PIERCE MI MULTI FLAT & FTR ACTION (LG/SH)	MANUFACTURE	REV.	A	DATE	7/17/2018
DRAWING	PE-10625-18	PIERCE ENGINEERING LTD.	SCALE	2:1	DRAWN BY: JOHN PIERCE	
<p>PROPRIETARY AND CONFIDENTIAL</p> <p>THE INFORMATION CONTAINED IN THIS DRAWING IS THE SOLE PROPERTY OF PIERCE ENGINEERING LTD. ANY REPRODUCTION IN PART OR AS A WHOLE WITHOUT THE WRITTEN PERMISSION OF PIERCE ENGINEERING LTD. IS PROHIBITED.</p>		<p>UNLESS OTHERWISE SPECIFIED DIMENSIONS ARE IN INCHES</p> <p>ANGULAR +/- 1 DEGREE</p> <p>TWO PLACE DECIMAL +/- .005</p> <p>THREE PLACE DECIMAL +/- .001</p> <p>FOUR PLACE DECIMAL +/- .0005</p>		<p>DESCRIPTION:</p> <p>1-1/16 X 18</p> <p>BARREL TENON</p>		
		<p>DO NOT SCALE DRAWING</p>				

NOTES:

THREAD SIZE: 1-1/16 X 18
THREAD PROFILE: 60 V
TPI: 18
MAJOR DIA: 1.062
PITCH: .0556
PITCH DIAMETER: 1.023



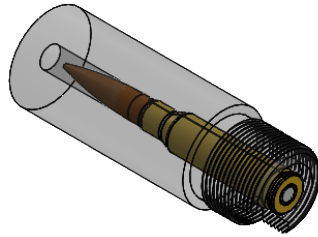
DISCLAIMER:

- It is your responsibility to verify the thread size in the action you are chambering.
- Length of thread extension & size of cone will vary depending on the size of the bolt face and must be individually fit.
- ALL actions should be measured individually.
- The end user is solely responsible for the safe use of the product.

MODEL	PIERCE ??????????ACTION (LG/SH)	MANUFACTURE	REV.	A	DATE	7/17/2018
DRAWING	PE-10625-18	PIERCE ENGINEERING LTD.	SCALE 2:1 DRAWN BY: JOHN PIERCE			
<p>PROPRIETARY AND CONFIDENTIAL</p> <p>THE INFORMATION CONTAINED IN THIS DRAWING IS THE SOLE PROPERTY OF PIERCE ENGINEERING LTD. ANY REPRODUCTION IN PART OR AS A WHOLE WITHOUT THE WRITTEN PERMISSION OF PIERCE ENGINEERING LTD. IS PROHIBITED.</p>		<p>UNLESS OTHERWISE SPECIFIED DIMENSIONS ARE IN INCHES</p> <p>ANGULAR +/- 1 DEGREE</p> <p>TWO PLACE DECIMAL +/- .005</p> <p>THREE PLACE DECIMAL +/- .001</p> <p>FOUR PLACE DECIMAL +/- .0005</p>		<p>DESCRIPTION:</p> <p>1-1/16 X 18</p> <p>BARREL TENON</p>		
		<p>DO NOT SCALE DRAWING</p>				

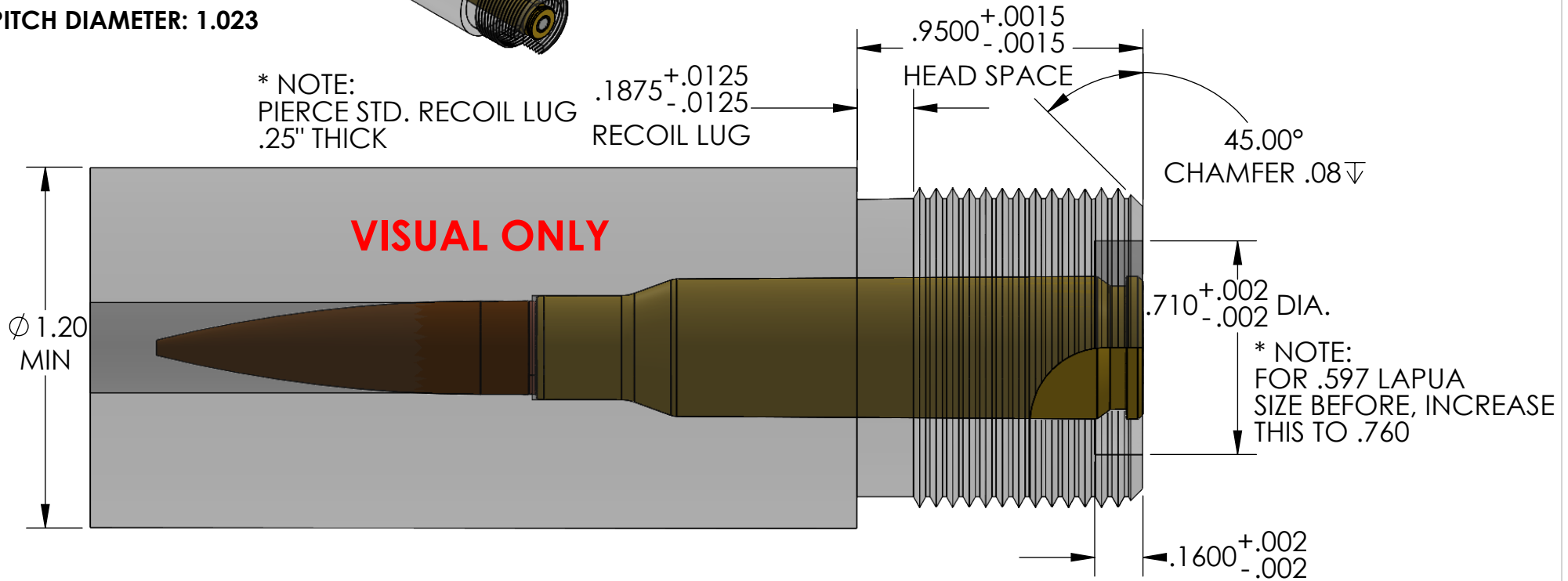
NOTES:

THREAD SIZE: 1-1/16 X 18
THREAD PROFILE: 60 V
TPI: 18
MAJOR DIA: 1.062
PITCH: .0556
PITCH DIAMETER: 1.023



* NOTE:
 PIERCE STD. RECOIL LUG
 .25" THICK

.1875^{+.0125}
 -.0125
 RECOIL LUG



DISCLAIMER:

- It is your responsibility to verify the thread size in the action you are chambering.
- Length of thread extension & size of cone will vary depending on the size of the bolt face and must be individually fit.
- ALL actions should be measured individually.
- The end user is solely responsible for the safe use of the product.